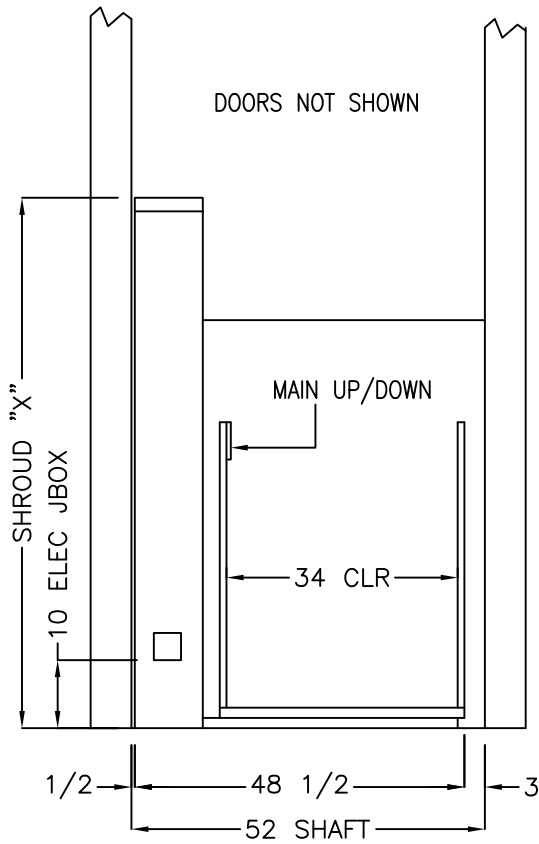
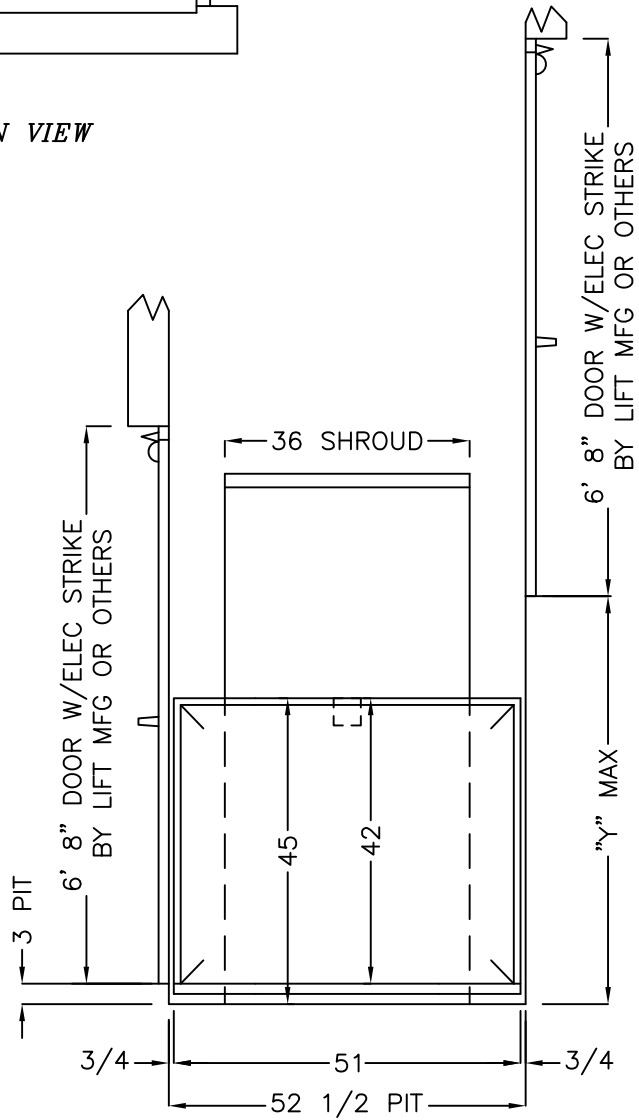


PLAN VIEW



FRONT VIEW



SIDE VIEW

MODEL	"X" IN.	"Y" IN.	MODEL	"X" IN.	"Y" IN.	DIMENSIONS SUBJECT TO CHANGE WITHOUT NOTIFICATION.	NATIONAL WHEEL-O-VATOR		
BC-42	63	45	BC-108	130	111		509 W. FRONT ST. ROANOKE, ILLINOIS 61561 1-800-551-9095	JANUARY 2003	
BC-60	81	63	BC-120	142	123		MODEL: BC SHROUD LEFT	DRAWING NUMBER: CC-1042	
BC-72	93	75	BC-144	171	147		ALL DIMENSIONS SUBJECT TO STANDARD INDUSTRY TOLERANCES UNLESS OTHERWISE SPECIFIED.		
BC-96	118	99							