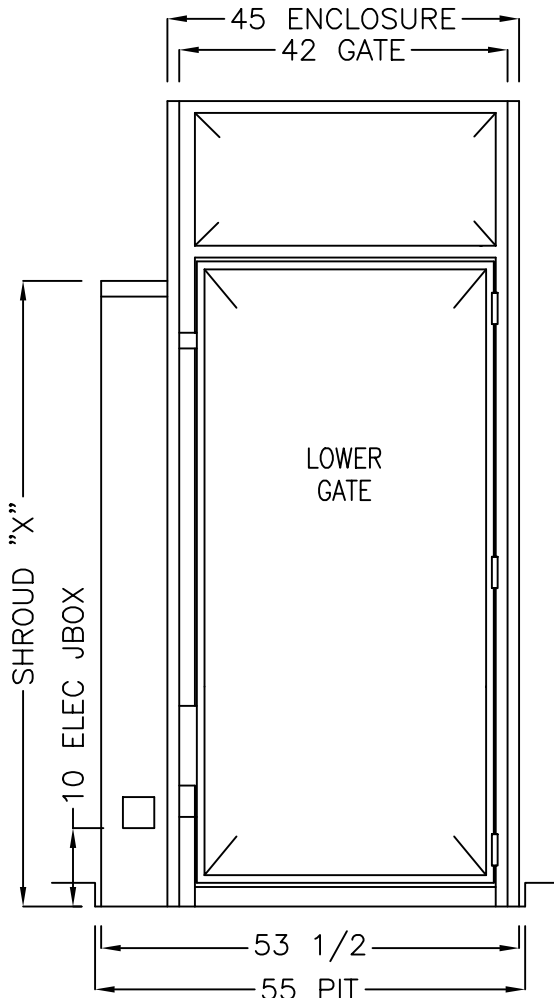
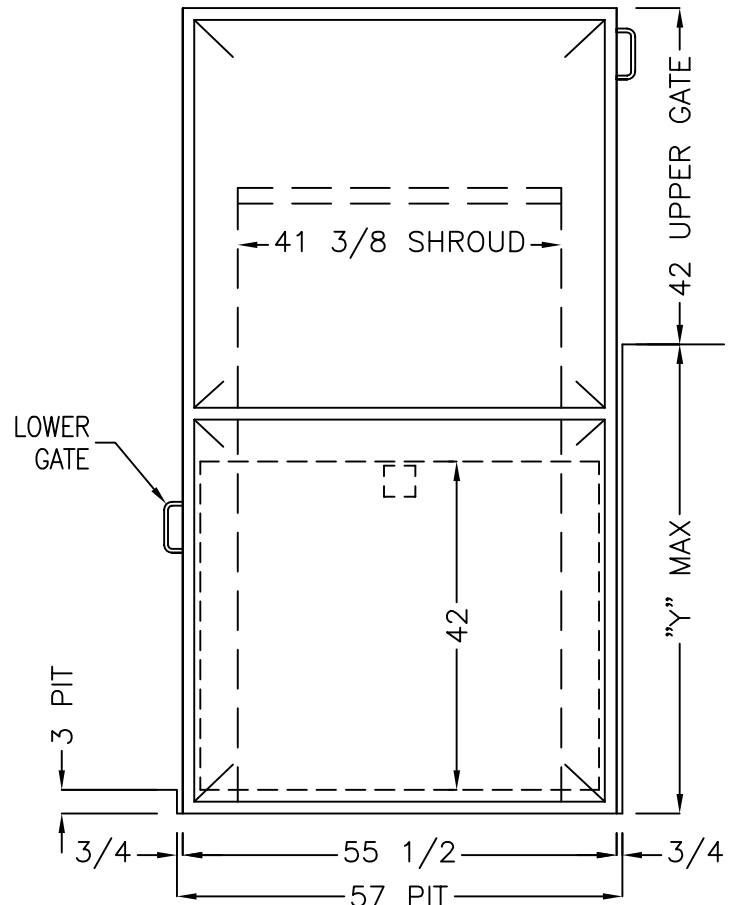


PLAN VIEW



FRONT VIEW



SIDE VIEW

NOTE - 84" MIN. ENCLOSURE ON UNITS W/LIFT HTS. ≥30"

MODEL	"X" IN.	"Y" IN.	MODEL	"X" IN.	"Y" IN.
HCDE-42	69	45	HCDE-96	123	99
HCDE-60	87	63	HCDE-108	135	111
HCDE-72	99	75	HCDE-120	147	123
			HCDE-144	171	147

DIMENSIONS SUBJECT TO CHANGE WITHOUT NOTIFICATION.

NATIONAL WHEEL-O-VATOR
509 W. FRONT ST.
ROANOKE, ILLINOIS 61561
1-800-551-9095

JANUARY 2003

MODEL: HCDE SHROUD LEFT
DRAWING NUMBER: HCC-2021

ALL DIMENSIONS SUBJECT TO STANDARD INDUSTRY TOLERANCES UNLESS OTHERWISE SPECIFIED.