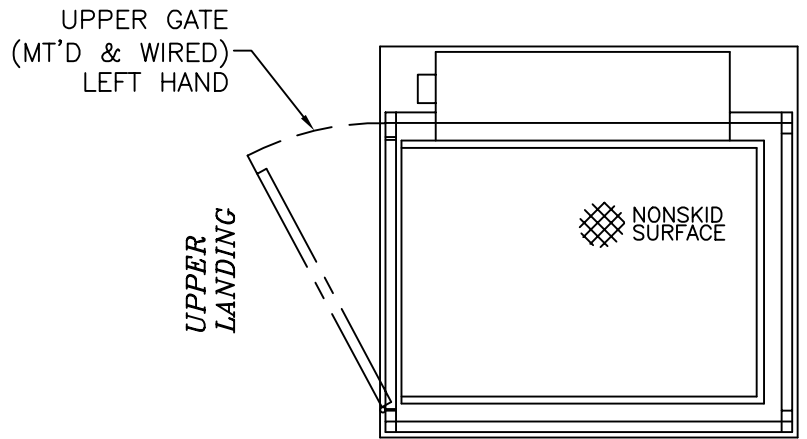
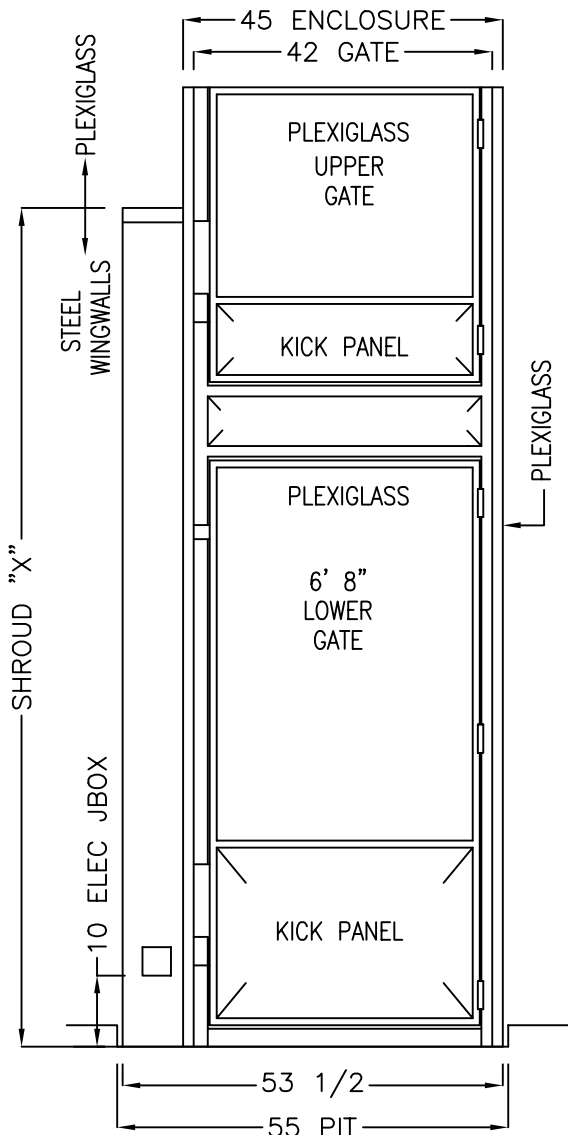


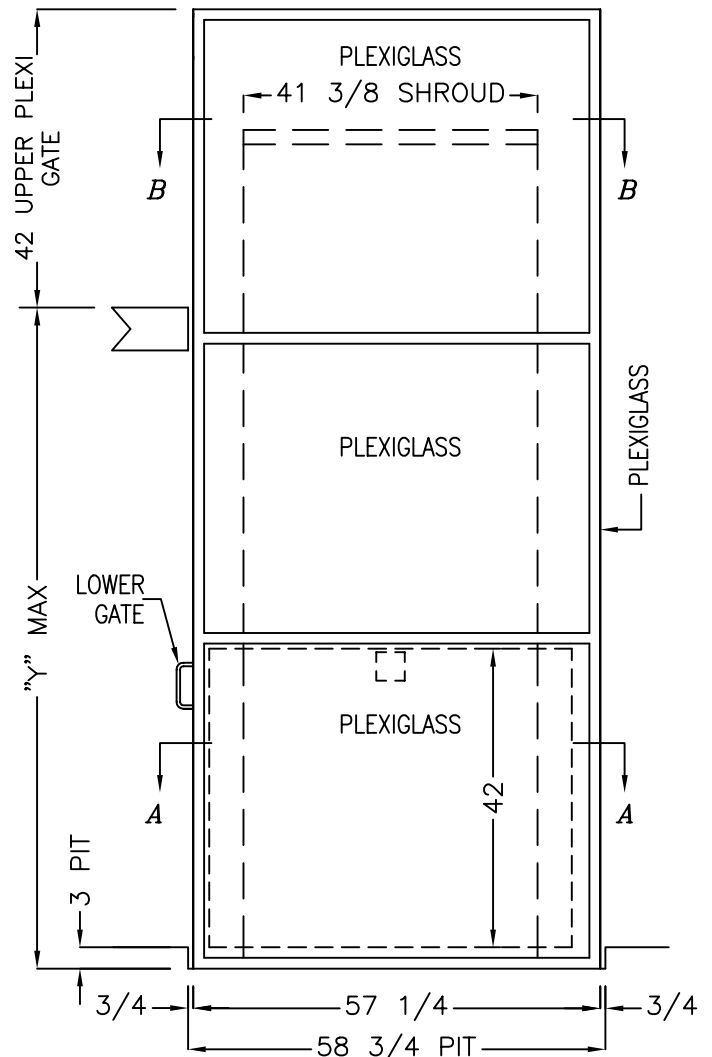
VIEW A-A



VIEW B-B



FRONT VIEW



SIDE VIEW

MODEL	"X" IN.	"Y" IN.	MODEL	"X" IN.	"Y" IN.	DIMENSIONS SUBJECT TO CHANGE WITHOUT NOTIFICATION.	NATIONAL WHEEL-O-VATOR	
HPCDE-96	123	99					509 W. FRONT ST. ROANOKE, ILLINOIS 61561 1-800-551-9095	JANUARY 2003
HPCDE-108	135	111				MODEL: HPCDE SHROUD LEFT	DRAWING NUMBER:	
HPCDE-120	147	123				ENTER/EXIT SAME SIDE	HCC-3061	
HPCDE-144	171	147				ALL DIMENSIONS SUBJECT TO STANDARD INDUSTRY TOLERANCES UNLESS OTHERWISE SPECIFIED.		