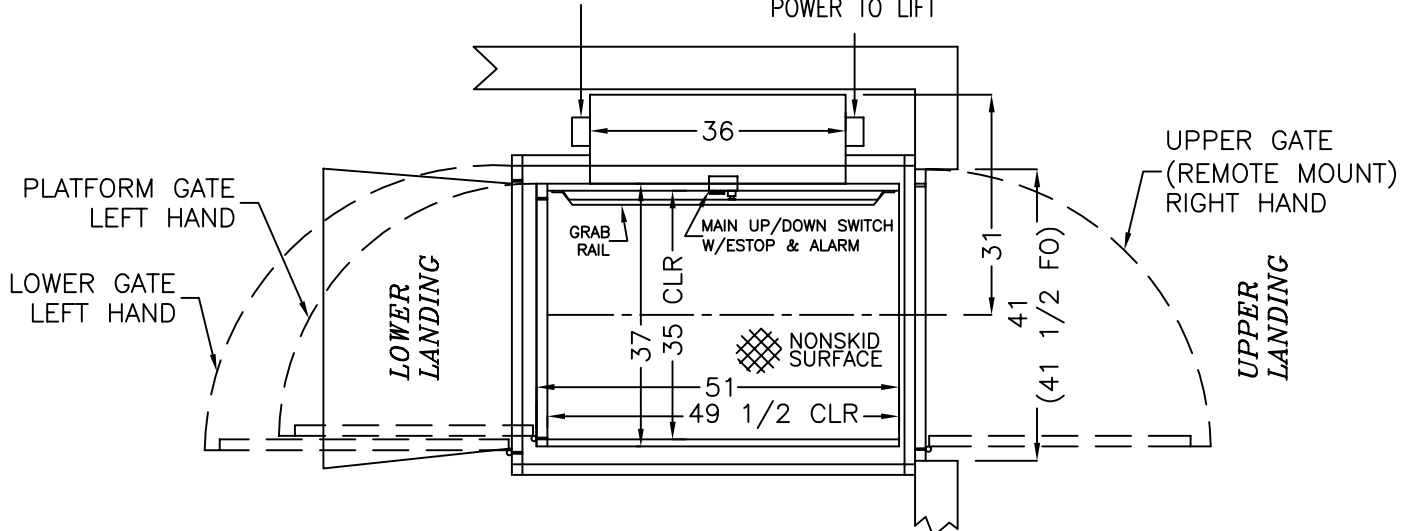
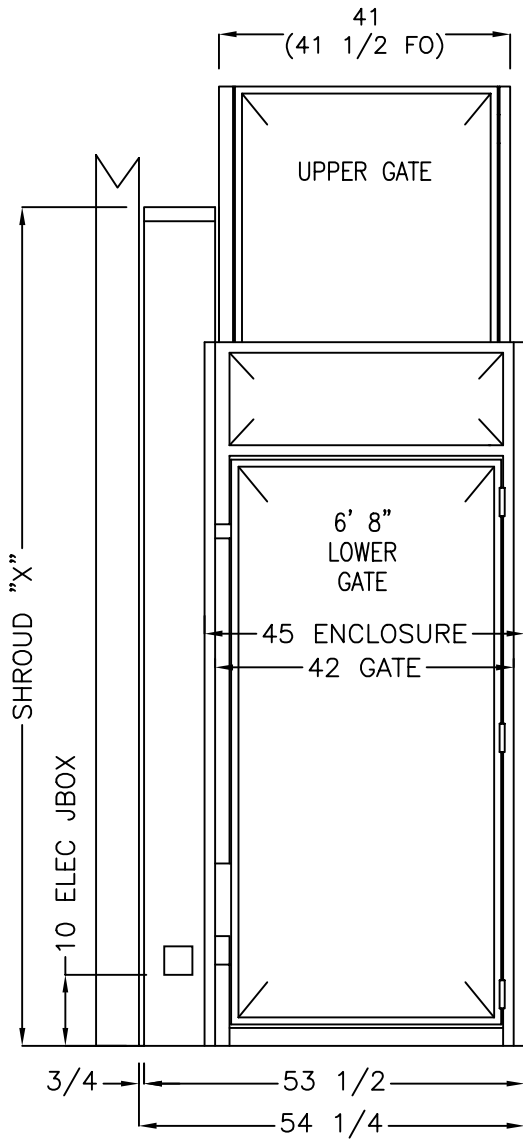


ELECTRIC JUNCTION BOX FOR:
 LOWER CALL SEND
 LOWER GATE

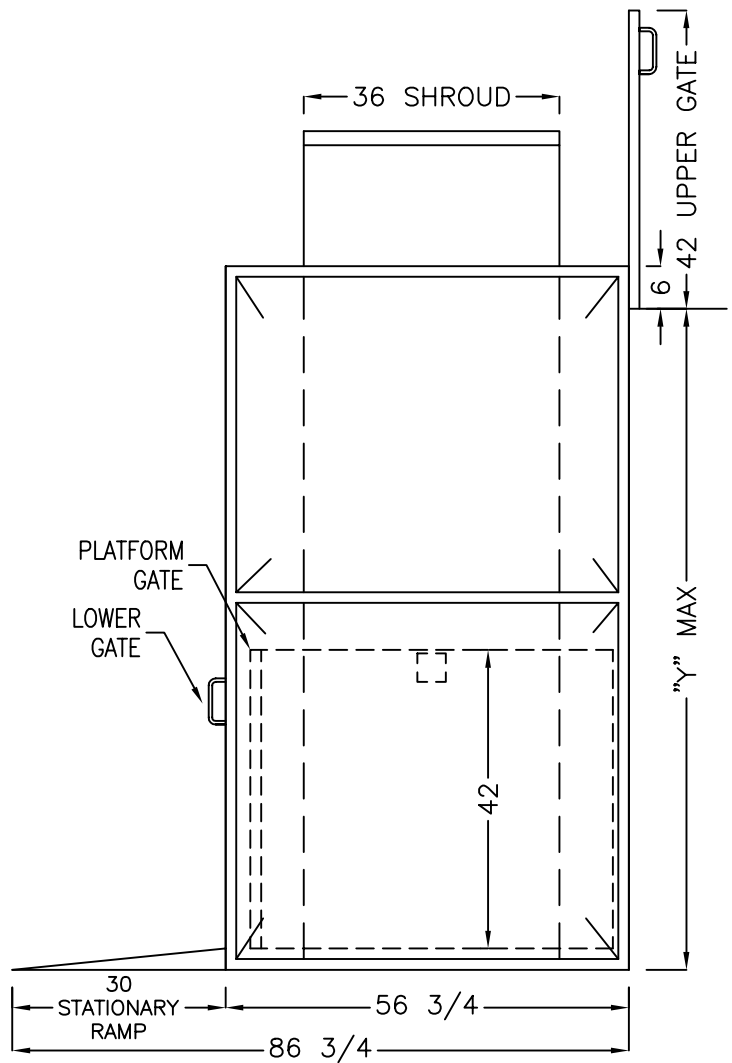
ELECTRIC JUNCTION BOX FOR:
 UPPER GATE
 UPPER CALL SEND
 POWER TO LIFT



PLAN VIEW



FRONT VIEW



SIDE VIEW

MODEL	"X" IN.	"Y" IN.	DIMENSIONS SUBJECT TO CHANGE WITHOUT NOTIFICATION.			NATIONAL WHEEL-O-VATOR	
CDE-96	118	99				509 W. FRONT ST. ROANOKE, ILLINOIS 61561 1-800-551-9095	JANUARY 2003
CDE-108	130	111				MODEL: CDE SHROUD LEFT	DRAWING NUMBER: CC-2010
CDE-120	142	123				ALL DIMENSIONS SUBJECT TO STANDARD INDUSTRY TOLERANCES UNLESS OTHERWISE SPECIFIED.	
CDE-144	171	147					