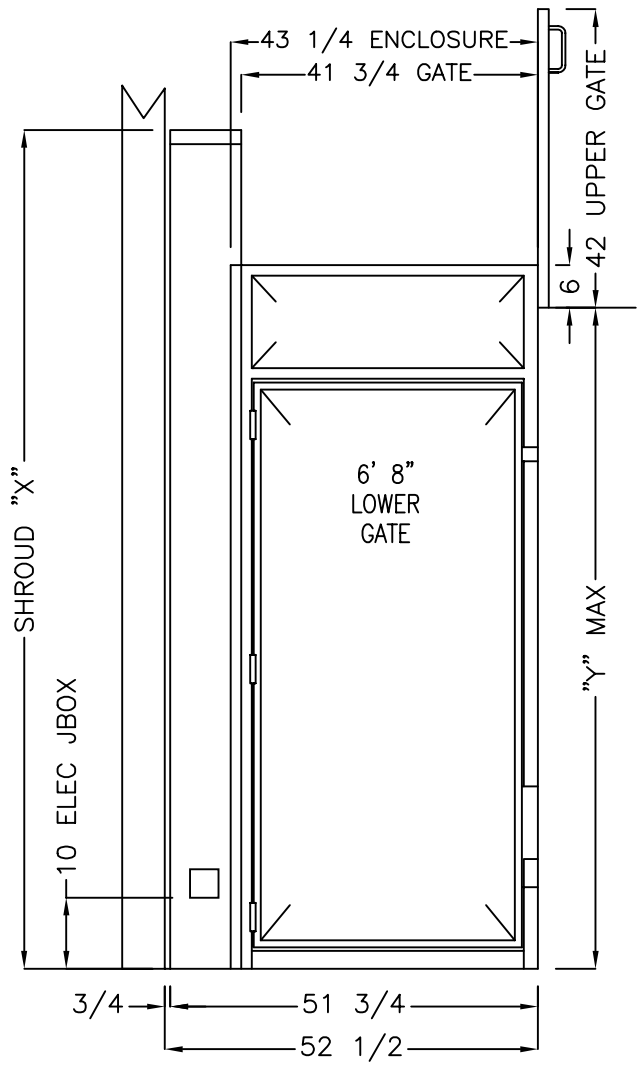
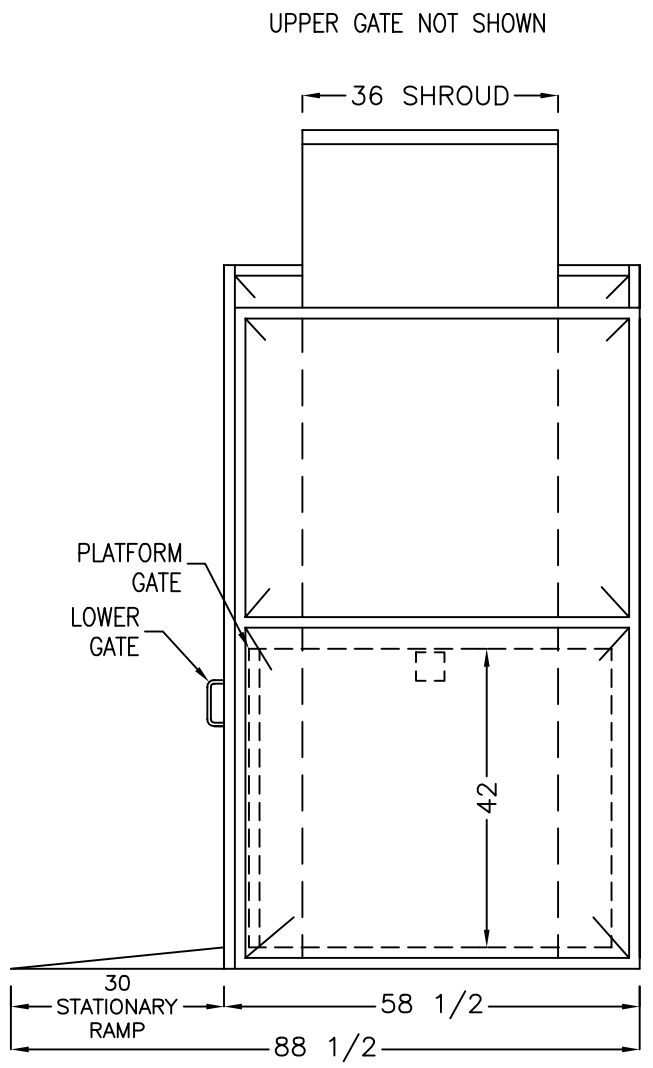


PLAN VIEW



FRONT VIEW



SIDE VIEW

MODEL	"X" IN.	"Y" IN.					
CDE-96	118	99					
CDE-108	130	111					
CDE-120	142	123					
CDE-144	171	147					

**DIMENSIONS SUBJECT TO CHANGE WITHOUT NOTIFICATION.**

**NATIONAL WHEEL-O-VATOR**  
 509 W. FRONT ST. ROANOKE, ILLINOIS 61561  
 1-800-551-9095

JANUARY 2003

MODEL: CDE SHROUD LEFT 90° EXIT

DRAWING NUMBER: CC-2090

ALL DIMENSIONS SUBJECT TO STANDARD INDUSTRY TOLERANCES UNLESS OTHERWISE SPECIFIED.